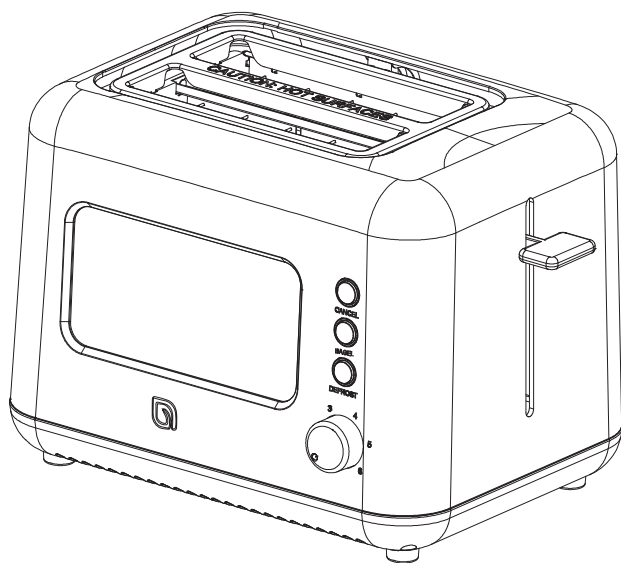


WILLOW™ | ECO  
SERIES

# 2 SLICE TOASTER WITH WINDOW USER'S MANUAL



**Before first use**, always double-check to ensure that all packaging materials have been removed from your appliance.



**DON'T BE ALARMED.** New parts might have a smell when first heated, but it will fade after a few uses. This is completely normal.



Read the instruction manual before using the machine.  
Save these instructions.

# CONTENT

IMPORTANT SAFEGUARDS	2
POWER SUPPLY SAFETY	3
HOW TO USE	4
DESCRIPTION OF PARTS	4
BEFORE FIRST USE	4
OPERATING INSTRUCTIONS	4
TIPS FOR BEST RESULTS	5
CLEANING AND MAINTENANCE	5
CRUMB REMOVAL	6
DISPOSAL	6
QUICK START	6
PRODUCT SPECIFICATIONS	7

# IMPORTANT SAFEGUARDS

**PLEASE READ ALL INSTRUCTIONS CAREFULLY BEFORE USING THIS APPLIANCE. WHEN USING ELECTRICAL APPLIANCES, ALWAYS FOLLOW BASIC SAFETY PRECAUTIONS, INCLUDING THE FOLLOWING:**

- Do not touch hot surfaces. Always use handles or knobs.
- Do not immerse the cord or plug in water or any other liquid to avoid the risk of electric shock.
- This toaster should only be used by, or under the supervision of, a responsible adult.
- Suitable for children aged 8 and above. However, cleaning and maintenance should only be performed by adults.
- Keep the appliance and cord out of reach of children.
- Always unplug the toaster and allow it to cool before cleaning or handling any parts.
- If the appliance is damaged or malfunctioning, stop using it immediately and replace it. Do not use it with a damaged cord or plug.
- Use only accessories recommended by the manufacturer to avoid injury.
- For indoor use only. Do not use outdoors.
- Do not allow the power cord to hang over the edge of tables or countertops or come into contact with hot surfaces.
- Keep the appliance away from heat sources such as burners, ovens, and hotplates.
- Ensure all controls are in the "off" position before unplugging the toaster.
- Only use the toaster for its intended purpose.
- Do not insert oversized items, foil-wrapped food, or utensils into the toaster as this may cause fire or electric shock.
- Keep the toaster away from curtains, drapes, walls, and any flammable materials during use.
- Never attempt to remove jammed bread while the toaster is plugged in.
- Do not use the toaster in bathrooms or expose it to water.
- Always place the toaster on a flat, stable, heat-resistant surface and keep it out of children's reach.
- **CAUTION:**The area around the toasting slots becomes hot during use. Do not touch.
- Never cover the toasting slots while the toaster is hot or in use.
- Do not toast buttered bread or sandwiches in the toaster.

- If bread gets jammed, unplug the toaster, let it cool, and gently remove the bread.  
**DO NOT USE SHARP OBJECTS.**
- Avoid using torn, curled, or misshapen slices as they may jam the toaster.
- Always unplug and let the toaster cool after use.
- Clean out crumbs regularly to prevent buildup and fire hazards.
- Only use the toaster with the crumb tray closed and properly in place.
- Do not use the toaster with external timers or remote controls.
- Only use the appliance as described in this manual.
- This appliance has a polarized plug (one prong is wider than the other) to reduce the risk of electric shock. The plug will fit only one way into a polarized outlet. If it doesn't fit, reverse it. If it still doesn't fit, consult a qualified electrician. Do not modify the plug.

**NOTE: THIS IS FOR HOUSEHOLD USE ONLY**

## **POWER SUPPLY SAFETY**

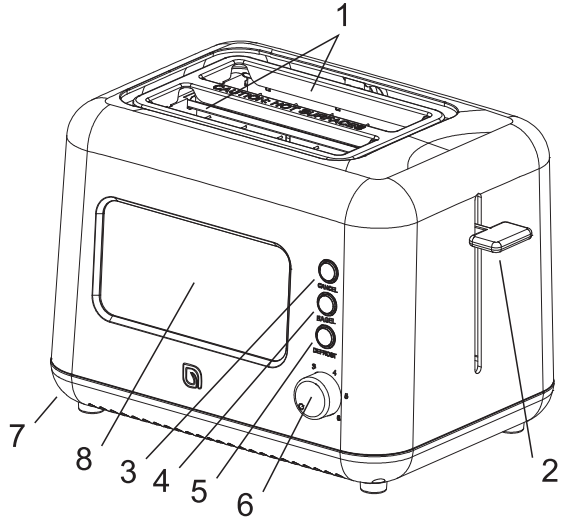
- Before first use, confirm that your outlet's voltage matches the rating label on the toaster.
- Only connect the toaster to an outlet with a proper grounding feature.
- Fully unwind the power cord to avoid overheating.
- Do not let the power cord hang over edges of tables or counters.
- Use a short power cord and arrange it to prevent entanglement or tripping. Avoid using extension cords. If necessary, have a grounded outlet installed by a qualified electrician.
- Do not place the cord under heavy objects or cover it.
- Ensure the cord is not bent or crushed, particularly at connection points.
- Always unplug the toaster when not in use, when malfunctioning, or before cleaning or storing.
- Always unplug by pulling the plug, not the cord.
- Do not plug in or operate the toaster with wet hands or while standing in water.
- Keep the power cord and appliance away from open flames and hot surfaces.
- This toaster features a polarized plug for safety. Follow the same user guidelines as in **IMPORTANT SAFEGUARDS** above.

# KEEP THESE INSTRUCTIONS FOR FUTURE REFERENCE

## HOW TO USE

### DESCRIPTION OF PARTS

1. Toasting slots
2. Loading handle
3. **CANCEL** button
4. **BAGEL** button
5. **DEFROST** button
6. Browning control knob
7. Crumb tray
8. Glass window



## BEFORE FIRST USE

- Inspect the toaster to ensure all parts are intact and undamaged.
- Turn the browning control knob to the highest setting and operate the toaster without bread once. This will condition the heating elements.
- A slight odor may be noticeable — this is normal. Ensure good ventilation during this process. Inspect the toaster to ensure all parts are intact and undamaged.

## OPERATING INSTRUCTIONS

### MAKING TOAST:

- Place the toaster upright on a stable, level, heat-resistant surface.
- Plug it in and turn on the socket if necessary. The light around the button will illuminate.
- Set the desired browning level using the knob. A higher number gives darker toast.

- Insert bread slices (max thickness 20 mm) into the slots.
- Push down the bread carriage handle until it locks. It will only lock if the toaster is plugged in.
- The toaster will begin heating and toasting.
- When finished, the toast will pop up and the heating will stop automatically.

### **DEFROST BUTTON:**

- To toast frozen bread, select your desired browning level, insert the frozen bread, lower the loading handle, and press the defrost button.
- The light will turn on and toasting time will automatically adjust.

### **CANCELLATION FUNCTION:**

- To stop the toasting process at any time, press the cancel button. The toast will pop up, heating will stop, and the light will turn off.

### **BAGEL BUTTON:**

- Use this feature to toast only one side of the bread (ideal for bagels).

## **TIPS FOR BEST RESULTS**

- Toast slices of similar size, thickness, and freshness for even results.
- Older bread contains less moisture and will toast more quickly.
- Thin or old bread needs a lower setting.
- Sweet breads (e.g., tea cakes, fruit loaf) brown quickly — use a lower setting.


## **CARE AND MAINTENANCE**

- Always unplug the toaster and let it cool completely before cleaning.
- Wipe the exterior with a soft, damp cloth.
- Do not insert any objects into the slots — this may damage internal parts.
- Avoid abrasive cleaners and solvents.
- Never immerse the toaster in water or any liquid.

# CRUMB REMOVAL

- Clean out the crumbs often to keep the toaster clean and safe. Too many crumbs can cause a fire.
- After unplugging and cooling, remove the crumb tray, empty it, and wipe it clean.
- Dry thoroughly and reinsert securely before operating the toaster again.
- Never use the toaster without the crumb tray in place.

# DISPOSAL

Correct Disposal of this product	
	<p>This marking indicates that this product should not be disposed with other household wastes throughout the EU. To prevent possible harm to the environment or human health from uncontrolled waste disposal, recycle it responsibly to promote the sustainable reuse of material resources. To return our used device, please use the return and collection systems or contact the retailer where the product was purchased. They can take this product for environmental safe recycling.</p>

# QUICK START

- Plug the toaster into an electrical outlet.
- Insert your toast or bagel into the slots.
- Adjust the browning level using the 1-6 shade knob.
- Press down the toast lever to begin toasting.
- To stop toasting at any time, press the cancel button.
- For bagels, press the bagel button.
- To defrost frozen bread, press the defrost button.

# PRODUCT SPECIFICATIONS

Name	2 Slice Toaster with Window
Model No.	7603, 7604, 7606
Rated Voltage	120 VAC, 60 Hz
Rated power	900W

For customer service contact us here:



[www.cookwithwillow.com](http://www.cookwithwillow.com)



40 Wall St, Suite 1605, 16th Floor,  
New York, NY 10005



[support@cookwithwillow.com](mailto:support@cookwithwillow.com)

