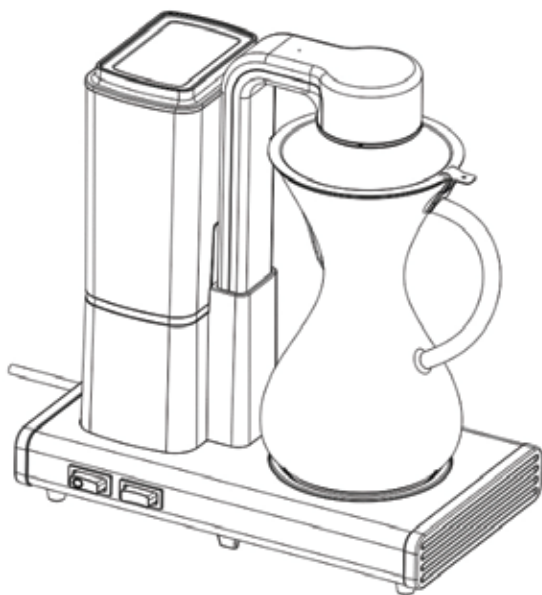


POUR OVER COFFEE MAKER USER'S MANUAL



Before first use, always double-check to ensure that all packaging materials have been removed from your appliance.



DON'T BE ALARMED. New parts might have a smell when first heated, but it will fade after a few uses. This is completely normal.



Read the instruction manual before using the machine.
Save these instructions.

CONTENT

IMPORTANT SAFEGUARDS	1
POWER SUPPLY	3
HOW TO USE	4
BEFORE FIRST USE	4
OPERATING INSTRUCTIONS	5
CLEANING AND MAINTENANCE	6
DESCALING	7
QUICK START	7
DISPOSAL	8
INFORMATION AND SERVICE	8

IMPORTANT SAFEGUARDS

Read all instructions carefully before use. When using electrical appliances, basic safety precautions should always be followed, including the following:

WARNING

- Before connecting the coffee maker to the mains supply, check that the voltage indicated on the appliance matches the mains voltage in your home. If this is not the case, do not use this appliance.
- **DO NOT** let the power cord hang over the edge of the table or counter.
- **DO NOT** place the coffee maker on or near a hot gas, electric burner, or in a heated oven.
- **DO NOT** use the appliance for other than intended use.
- **DO NOT** use if plug or cord is damaged or broken. It must be replaced by a qualified electrician in order to avoid a hazard, or the product must be disposed of.
- **CAUTION: DO NOT** operate the coffee maker without filling it with water to avoid damage to the heating element.
- Always attach plug to appliance first, then plug cord into the wall outlet. To disconnect, turn any control to **"OFF"**, then remove plug from wall outlet.
- The use of accessories, which are not recommended by the appliance manufacturer, may result in fire, electric shock, or personal injury.
- Ensure that the coffee maker is used on a stable flat surface, this will prevent the coffee maker from overturning and avoid damage or injury.
- **THIS IS NOT A TOY. Suitable for use for children 8 years and above. Children should be supervised to ensure that they do not play with the appliance. Keep the appliance and its cord out of reach of children.** This appliance is not intended for use by individuals (including children) with reduced physical, sensory, or mental capabilities, or those lacking experience and knowledge, unless they have received supervision or instruction on the appliance's usage from a person responsible for their safety.
- Cleaning and user maintenance tasks should only be undertaken by adults.
- To prevent fire, electric shock or personal injury, avoid immersing the supply cord, plug, or coffee maker in water or other liquids.
- Avoid touching hot surfaces; instead, use the handles or knobs.
- The coffee maker is for household use only, not designed for commercial use. Do not use outdoors.
- **IMPORTANT:** Unplug the coffee maker from main power outlet when not in use and before cleaning.
- Allow the coffee maker to cool thoroughly before adding or taking off parts, and before cleaning the appliance.
- To disconnect the coffee maker, switch **"OFF"** the power switch on the coffee maker first, then remove the plug from the mains power outlet.

WARNING (continued)

- The coffee maker is only to be used with the base stand provided.
- Always ensure the coffee maker lid is closed and do not lift it while the water is brewing. Scalding may occur if the lid is opened while brewing cycles are still in effect.
- Use caution when handling the coffee maker's lid, as steam may escape when opening.
- The appliance base must not be immersed in water or other liquids.
- Avoid liquid spillage on the electrical connectors.
- **The coffee maker base and outer surface are subject to residual heat after use. Misuse may cause injury or property damage.**
- **CAUTION:** The heating element surface is subject to residual heat after use.
- The container is designed for use with this appliance. It must never be used on a range top. (Unless specific instructions for use on a range top are provided and include the precautions to be observed.)
- **DO NOT** set a hot container on a wet or cold surface.
- **DO NOT USE** a cracked container or a container having a loose or weakened handle.
- **DO NOT** operate the coffee maker on an inclined plane or move while the coffee maker is switched on.
- Regularly inspect the power cord for any signs of damage or wear, and replace unit if necessary.
- **DO NOT** attempt to repair or disassemble the coffee maker yourself. Contact a qualified technician for servicing.
- Avoid operating the coffee maker near flammable materials or in areas where flammable vapors may be present.
- **DO NOT** use the coffee maker if it has been dropped, damaged, or if there are any visible signs of malfunction.
- Before plugging in the coffee maker, ensure the power switch is in the "**OFF**" position.
- **DO NOT** leave the coffee maker unattended while it is in use.
- Avoid placing the coffee maker near edges or in locations where it could be easily knocked over.
- Always place the coffee maker on a heat-resistant surface to prevent damage to countertops or tables.
- Before storing the coffee maker, ensure it is completely dry to prevent mold or mildew growth.
- **DO NOT** use abrasive cleaners, steel wool or scouring pads on the coffee maker's container.
- Keep the coffee maker away from sources of direct sunlight or heat when not in use.
- In the event of any unusual noises, smells, or smoke coming from the coffee maker, immediately unplug and discontinue use.

POWER SUPPLY GUIDELINES

- Before using the appliance, ensure the power voltage matches the information on the appliance rating label.
- Only connect the appliance to a grounded outlet for safety.
- Fully unwind the power cord to avoid overheating.
- Do not let the power cord hang over the edge of tables or countertops.

IMPORTANT POWER SUPPLY SAFEGUARDS

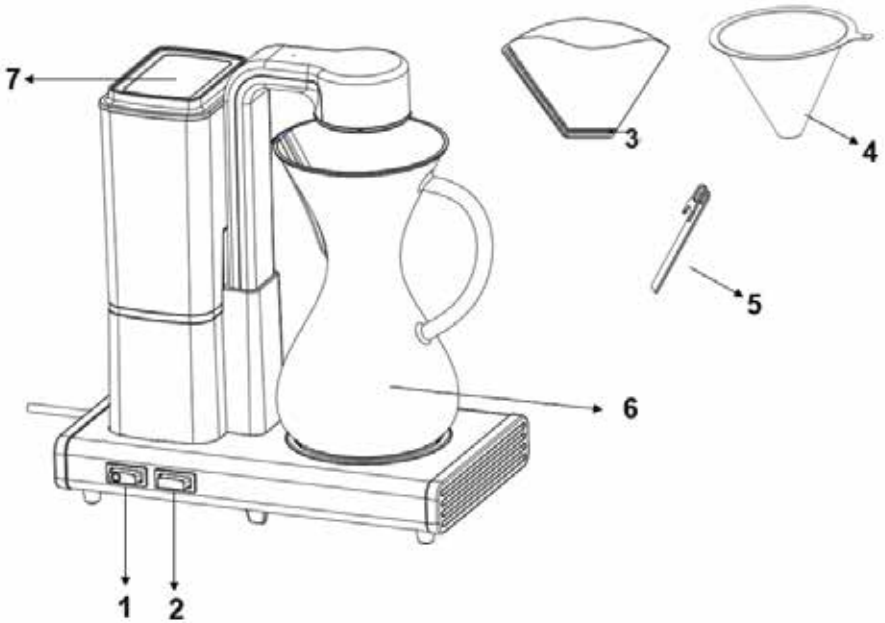
- Use a short power cord and organize it to minimize the risk of entanglement or tripping. Avoid replacing it with a longer cord or using an extension cord. Consult a qualified electrician if needed.
- Avoid covering or placing heavy objects on the power cord.
- Ensure the power cord is not crushed or bent, especially at the appliance and plug connections.
- Always unplug the power cord when not in use, when it's malfunctioning, before attaching accessories, and before cleaning or storing it.
- When disconnecting, grasp the plug, not the wire.
- Avoid plugging in the power cord with wet hands or while standing in water.
- Keep the appliance and power cord away from open flames and hot surfaces.
- **NOTE:** This appliance has a polarized plug (one blade is wider than the other). Ensure it fits into the outlet correctly. To reduce the risk of electric shock, it is intended to fit into a polarized outlet only one way. If the plug does not fit fully into the outlet, reverse the plug. If it still does not fit, consult a qualified electrician. Do not modify the plug in any way.

KEEP THESE INSTRUCTIONS FOR FUTURE REFERENCE

FOR HOUSEHOLD USE ONLY

HOW TO USE

DESCRIPTION OF PARTS



- 1. On/Off switch with indicator light
- 2. Hot/Cold brew switch
- 3. Paper filter (not included)
- 4. Metal filter
- 5. Paper filter clip
- 6. Glass pot
- 7. Water tank lid

BEFORE FIRST USE

Check that all accessories are complete, and the unit is not damaged. We recommend cleaning the unit before your first use. Fill the water tank to its maximum level indicated on the gauge. Run multiple brewing cycles without coffee grounds, discarding the water each time. Thoroughly clean and dry all removable parts as instructed in the **CARE AND MAINTENANCE** section.

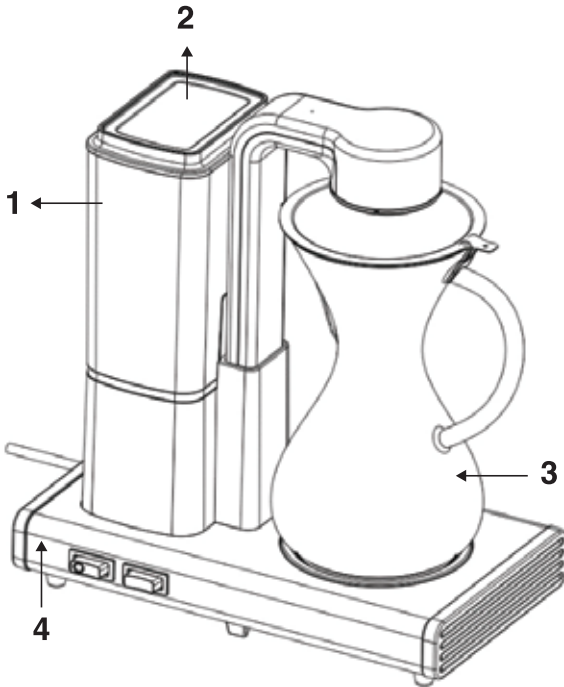
OPERATIONS

- Open the lid and fill the water tank with cold drinking water.
NOTE: Do not exceed the maximum mark on the tank. The machine can brew up to **10 cups** of coffee at once. **(Equivalent to 1.25 Liter)**
- Insert a paper filter into the glass pot or use the metal filter.
- Add ground coffee to the filter. As a guideline, use one level measuring spoon per 3 cups of coffee, adjusting to taste.
- Fill the water tank with the appropriate amount of water, referring to the measurement marks on both the water tank and the glass pot.
- Place the glass pot on the hot plate.
- Plug in the appliance and power on with switch 1.
- Use switch 2 to select the desired hot plate setting.
- When the coffee brewing process is finished, remove the glass pot from the hot plate
NOTE: The amount of liquid coffee you end up with is less than the amount of water you put into the water tank, as the ground coffee also absorbs water.

WARNING: When pouring the coffee, make sure not to hold the glass pot at an angle greater than 45 degrees relative to vertical. You should pour the coffee slowly until the pot is empty. If this is done too quickly, the coffee will gush against the underside of the pot lid and over the edge of the pot, which could result in burns.
- After the machine has finished brewing the coffee, it automatically switches to the heating function, which will keep the coffee hot for up to 120 minutes. After 120 minutes of heating, the machine will switch off automatically. For optimal taste, however, it is best to serve and drink your coffee immediately after brewing.
- Always turn off the coffee machine when not in use and remove the plug from the socket.

CLEANING AND MAINTENANCE

- **CAUTION:** Always unplug the appliance before cleaning and ensure it has cooled down completely.
- To prevent electrical shock, avoid immersing the cord, plug, or coffee maker in water or any other liquid.
- After each use, clean all detachable parts in hot soapy water and thoroughly rinse the filter holder and permanent filter with clean water.
- Wipe the external surfaces of the product with a soft, damp cloth to remove stains.
- **NOTE:** Do not attempt to clean the inside of the water tank to avoid leaving lint residue that may clog the coffee maker. Simply rinse it with cold water periodically.
- Water droplets may accumulate above the filter holder and drip onto the base during brewing. Control this by wiping the area with a clean, dry cloth after each use.
- Finally, reassemble all parts and store the appliance for future use.



1. Do not clean inside of tank. Simply rinse with cold water.
2. Water tank lid, Metal filter and all detachable parts get cleaned in hot, soapy water. Rinse thoroughly.

3. Carafe gets cleaned in hot, soapy water. Rinse thoroughly.
4. Wipe all external surfaces with a clean, damp, soft cloth to remove stains.

DESCALING

- To maintain the efficiency of your coffee maker, it's important to periodically remove mineral deposits left by the water. The frequency of this maintenance depends on your area's water quality and how often you use the machine.


Here's how to remove mineral deposits:

- Fill the tank with water and descaler up to the maximum level indicated on the water gauge. The recommended ratio of water to descaler is 4:1, but refer to the instructions provided with your descaler for precise details. Look for a 'household descaler' or 'anti-limescale' product, available at supermarkets.
- Place the glass carafe onto the warming plate.
- Ensure there are no coffee grounds and that the funnel is in place.
- Switch on the appliance and allow it to **'brew'** the descaling solution.
- Once a one-cup solution has brewed, switch off the appliance.
- Let the solution stand for 15 minutes, then repeat steps 4-6.
- Switch on the appliance again and run the solution until the water tank is completely empty.
- Rinse the appliance by running it with water only **at least three times**.

QUICK START

- Plug the pour over coffee maker into an electrical outlet.
- Fill the water reservoir with the desired amount of water.
- For every 3 cups of coffee, use one level measuring spoon of coffee grounds and adjust the amount to suit your taste.
- Power on by pressing the switch button.
- Choose either the hot or cold brew switch based on your preferred coffee type.
- Once brewing is finished, remove the glass carafe from the hot plate and pour into desired cups.

DISPOSAL

Correct Disposal of this product	
	This marking indicates that this product should not be disposed with other household wastes throughout the EU. To prevent possible harm to the environment or human health from uncontrolled waste disposal, recycle it responsibly to promote the sustainable reuse of material resources. To return our used device, please use the return and collection systems or contact the retailer where the product was purchased. They can take this product for environmental safe recycling.

PRODUCT SPECIFICATIONS

Name	Pour Over Coffee Maker
Model No.	7708MY, 7709MY, 7710MY
Rated Voltage	120 VAC, 60 Hz
Rated power	1400W

For customer service contact us here:



<https://www.cookwithwillow.com>



40 Wall St, Suite 1605, 16th Floor,
New York, NY 10005



support@cookwithwillow.com



1 (888) 992-5943

