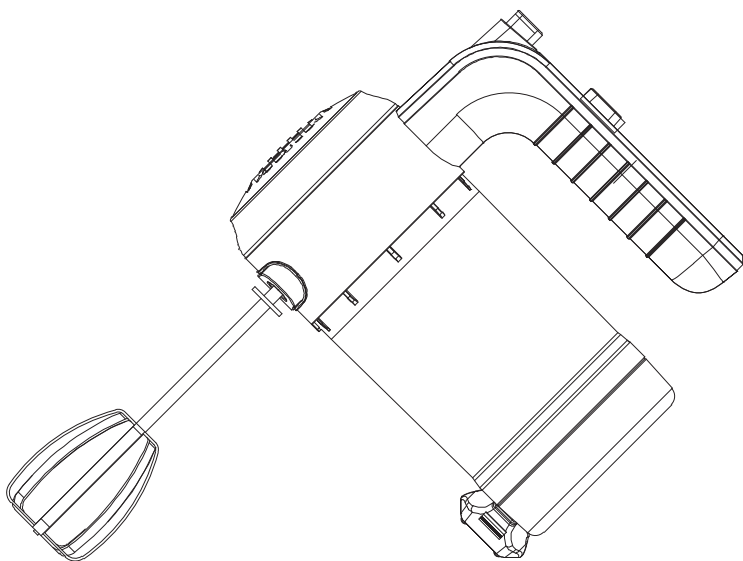


WILLOW™ | ECO
SERIES

HAND MIXER USER'S MANUAL



Before first use, always double-check to ensure that all packaging materials have been removed from your appliance.



DON'T BE ALARMED. New parts might have a smell when first heated, but it will fade after a few uses. This is completely normal.



Read the instruction manual before using the machine.
Save these instructions.

CONTENT

IMPORTANT SAFEGUARDS	2
POWER SUPPLY SAFETY	3
HOW TO USE	4
DESCRIPTION OF PARTS	4
BEFORE FIRST USE	4
OPERATING INSTRUCTIONS	4
CLEANING AND MAINTENANCE	5
STORAGE TIP	5
DISPOSAL	6
QUICK START	6
PRODUCT SPECIFICATIONS	7

SAFETY INFORMATION

DANGER:

Not following the instructions carefully may cause serious injury or even death.

WARNING:

Be aware of risks or unsafe actions that could lead to severe injury or death.

CAUTION:

Unsafe actions or situations might cause minor injuries.

RISK OF SUFFOCATION:

Keep all packaging materials and the appliance away from young children.

IMPORTANT SAFEGUARDS

PLEASE READ ALL INSTRUCTIONS CAREFULLY BEFORE USING THIS APPLIANCE. WHEN USING ELECTRICAL APPLIANCES, ALWAYS FOLLOW BASIC SAFETY PRECAUTIONS, INCLUDING THE FOLLOWING:

- Always use the hand mixer in a **clean, clear workspace** to avoid accidents.
- **Read this manual carefully before use**, and keep it for future reference. If you give the mixer to someone else, give them the manual too.
- Use the appliance **only for its intended purpose**. Misuse could cause electric shock, fire, or serious injury and may void your warranty.
- Willow is **not responsible for any damage** or injury caused by incorrect use or setup.
- This product is for **indoor household use only** — not for commercial or outdoor use.
- Do **not use** the mixer if it's damaged, dropped, or not working properly.
- **Do not use near water or in wet places** like bathrooms. Never immerse the handle in water or place electrical parts under running water.
- This product can be used by children age 8+ and by people with reduced abilities **only with supervision and instructions**. Children under 8 must not operate or clean the mixer.
- **Keep out of reach of children under 8.**
- This appliance is **not a toy** — children should not play with it.
- **Never leave the mixer unattended while it's plugged in.**
- Use only the **original accessories** that came with the mixer. Using others may cause injury or damage and void the warranty.
- **Do not use to blend hard foods** like bones, shelled nuts, or seafood with shells — this can break the appliance.

- **Do not store near water sources.** If it gets wet or falls into water, **do not use or touch it.**
- Follow all cleaning steps in the "**Cleaning and Care**" section.
- **Do not try to repair** the mixer yourself. The handle contains electrical parts and must not be opened.
- The beaters are sharp — be careful when attaching, removing, cleaning, or storing them.

* Keep **hair, hands, clothes, and tools away** from the beaters while the mixer is running.

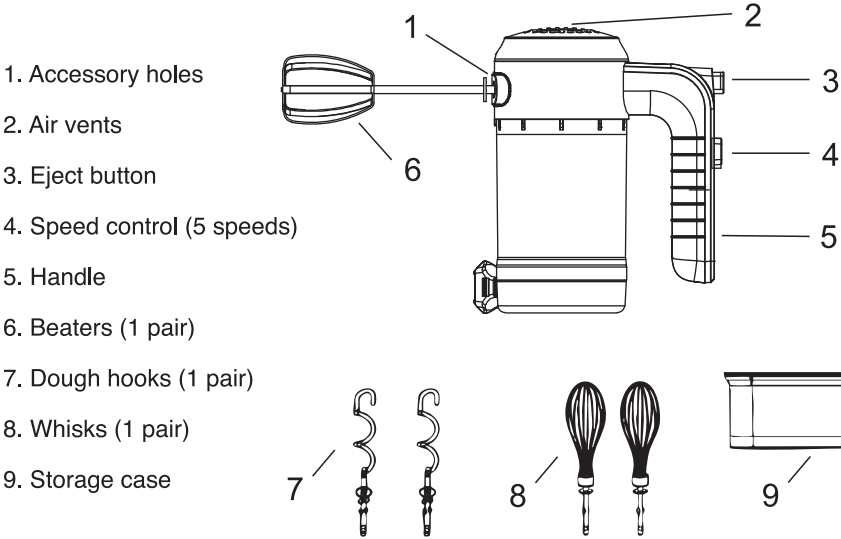
POWER SUPPLY SAFETY

- Before using, check that the **voltage matches** the rating label.
- Use only an outlet with **grounding protection.**
- **Unwind the power cord fully** to prevent overheating.
- Keep the cord **away from edges** of counters or tables.
- Use a **short power cord** to avoid tripping or tangling. **Do not use extension cords.** If needed, ask an electrician to install a nearby grounded socket.
- Do not place heavy items on the cord or cover it.
- Make sure the cord **isn't bent or crushed**, especially near the plug and appliance.
- Always **unplug the mixer when not in use**, before cleaning, or when adding accessories.
- **Unplug by pulling the plug**, not the cord.
- **Do not touch the plug or appliance with wet hands** or while standing in water.
- Keep the mixer and cord away from **open flames or hot surfaces.**
- This mixer has a **polarized plug** (one prong is wider). It only fits one way into polarized outlets. If it doesn't fit, reverse the plug. If it still doesn't fit, contact an electrician. **Do not force or modify the plug.***

KEEP THESE INSTRUCTIONS FOR FUTURE REFERENCE

HOW TO USE

DESCRIPTION OF PARTS



BEFORE FIRST USE

- Remove all packaging and check for damage.
- If any parts are missing or damaged, do **not use the appliance** — return it to the store.
- Wash all removable parts before use. (See **Cleaning and Care** section.)

OPERATING INSTRUCTIONS

ASSEMBLING THE MIXER:

- Make sure the mixer is **unplugged and switched off**.
- Choose the correct accessory:
 - **Beaters** for cookie dough, or cake batter.
 - **Whisks** for whipped cream, whipped egg whites, sauces or puddings.
 - **Dough hooks** for heavier dough ingredients like bread or fruit cake.
- Insert the **beater, dough hook, or whisk** into the correct accessory holes:
NOTE: One hole is **larger** than the other.
- Beaters & whisks fit either hole.
- Dough hook with **four notches** goes into the larger hole. Dough hook with **two notches** goes into the smaller hole.

- Align to hole and push accessory firmly until it **clicks** into place.
- Always use **two matching** accessory (two beaters, two dough hooks, or two whisks).

USING THE MIXER:

- Plug in the mixer.
- Hold the handle and slide the control switch to **speed 1** to start.
- Adjust the speed gradually to avoid splashing.
- Do not use the mixer for kneading — it may damage the motor.
- After 5 minutes of continuous use, **let the mixer cool** for at least 5 minutes.
- If mixing is difficult, add a little water or milk.
- Slide the control switch to "**0**" to stop.
- Let any extra batter drip into the bowl before removing the beaters.

REMOVING ATTACHMENTS:

- Switch off and unplug the mixer.
- Let any mixture drip into the bowl.
- While holding the attachments, press the **Eject button** to remove them safely.
- Clean the attachments and store them in the **storage case**.

CARE AND MAINTENANCE


CAUTION: Always **unplug the appliance** and **let it cool** before cleaning.

- Wipe the outside with a **soft damp cloth**.
- Wash beaters and dough hooks in **warm, soapy water**.
- Never allow water or objects to enter the **air vents**.
- **Do not immerse the mixer** or electrical parts in water or any liquid.
- **Do not use** harsh chemicals, abrasives, or sharp objects for cleaning.

STORAGE TIP

- Before putting away for a long time, clean the appliance and store it in its original box in a **cool, dry place**, out of sunlight and dust.

DISPOSAL

Correct Disposal of this product	
	<p>This marking indicates that this product should not be disposed with other household wastes throughout the EU. To prevent possible harm to the environment or human health from uncontrolled waste disposal, recycle it responsibly to promote the sustainable reuse of material resources. To return our used device, please use the return and collection systems or contact the retailer where the product was purchased. They can take this product for environmental safe recycling.</p>

QUICK START

- Unplug first
- Attach matching beaters, whisks, or dough hooks (click to lock)
- Plug in, start at Speed 1 and gradually increase
- Rest mixer after 5 mins of continuous use (Don't use for kneading)
- Unplug, press Eject to release accessory
- Wipe mixer down; wash parts by hand (Never immerse mixer in water)

PRODUCT SPECIFICATIONS

Name	Hand Mixer
Model No.	7701, 7772, 7777, 7779
Rated Voltage	120 VAC, 60 Hz
Rated power	350W

For customer service contact us here:



www.cookwithwillow.com



40 Wall St, Suite 1605, 16th Floor,
New York, NY 10005



support@cookwithwillow.com

