

DIGITAL KETTLE USER'S MANUAL



Before first use, always double-check to ensure that all packaging materials have been removed from your appliance.



DON'T BE ALARMED. New parts might have a smell when first heated, but it will fade after a few uses. This is completely normal.



Read the instruction manual before using the machine.
Save these instructions.

CONTENT

IMPORTANT SAFEGUARDS	1
POWER SUPPLY	3
HOW TO USE	4
DESCRIPTION OF PARTS	4
BEFORE FIRST USE	4
OPERATING INSTRUCTIONS	5
USING YOUR ELECTRIC KETTLE	7
BOIL-DRY PROTECTION	7
CLEANING AND MAINTENANCE	7
REMOVAL OF MINERAL DEPOSITS	8
QUICK START	8
DISPOSAL	8
PRODUCT SPECIFICATIONS	9

IMPORTANT SAFEGUARDS

When using electrical appliances, basic safety precautions should always be followed, including the following:

WARNING

- Before connecting the kettle to the mains supply, check that the voltage indicated on the appliance (underside the kettle & base) matches the mains voltage in your home. If this is not the case, do not use the kettle.
- **DO NOT** let the power cord hang over the edge of the table or counter.
- **DO NOT** place the kettle on or near a hot gas, electric burner, or in a heated oven.
- **CAUTION: DO NOT** operate the kettle without filling it with water to avoid damage to the heating element.
- Ensure that the kettle is used on a stable flat surface, this will prevent the kettle from overturning and avoid damage or injury.
- **THIS IS NOT A TOY. Children should be supervised to ensure that they do not play with the appliance. Keep the appliance and its cord out of reach of children.** This appliance is not intended for use by individuals (including children) with reduced physical, sensory, or mental capabilities, or those lacking experience and knowledge, unless they have received supervision or instruction on the appliance's usage from a person responsible for their safety.
- To prevent fire, electric shock, or personal injury, avoid immersing the supply cord, plug, or kettle in water or other liquids.
- Avoid contacting with steam from the spout when the water is boiling or just after it has switched off.
- Always take care to pour boiling water slowly and carefully without tipping the kettle too quickly.
- Avoid touching hot surfaces; instead, use the handle when moving the kettle.
- The power base supplied is for use with this kettle only.
- Extreme caution must be used when moving the kettle with hot water.
- The kettle is for household use only, not designed for commercial use. Do not use outdoors.
- The use of accessories, which are not recommended by the appliance manufacturer, may result in fire, electric shock, or personal injury.
- **IMPORTANT:** Unplug the kettle from mains power outlet when not in use and before cleaning.
- Allow the kettle to cool thoroughly before putting on or taking off parts, and before cleaning the appliance.
- To disconnect the kettle, switch "**OFF**" the power switch on the kettle first, then remove the plug from the mains power outlet.
- If the supply cord is damaged, it must be replaced by a qualified electrician in order to avoid a hazard or the product must be disposed of.
- **DO NOT** use the appliance for other than intended use.
- The kettle is only to be used with the base stand provided.

WARNING (continued)

- **CAUTION:** If the kettle is overfilled, boiling water may spill out.
- Always ensure the kettle lid is closed and do not lift it while the water is boiling. Scalding may occur if the lid is opened when water is still boiling.
- The appliance must not be immersed in water or other liquids.
- Avoid liquid spillage on the electrical connectors.
- **The kettle base and outer surface are subject to residual heat after use. Misuse may cause injury or property damage.**
- **CAUTION:** The heating element surface is subject to residual heat after use.
- **DO NOT** operate the kettle on an inclined plane or move while the kettle is switched on.
- **DO NOT** operate the kettle without filling it with water above the Min level.
- **CAUTION:** To prevent damage to the appliance, do not use alkaline cleaning agents when cleaning. Use a soft cloth and mild detergent.
- Regularly inspect the power cord for any signs of damage or wear, and replace if necessary.
- **DO NOT** attempt to repair or disassemble the kettle yourself. Contact a qualified technician for servicing.
- Avoid operating the kettle near flammable materials or in areas where flammable vapors may be present.
- When filling the kettle with water, ensure it is not filled beyond the maximum capacity mark indicated.
- **DO NOT** use the kettle if it has been dropped, damaged, or if there are any visible signs of malfunction.
- Before plugging in the kettle, ensure the power switch is in the "OFF" position.
- Use caution when handling the kettle's lid, as steam may escape when opening.
- **DO NOT** leave the kettle unattended while it is in use.
- Allow the kettle to cool completely before storing it or attempting to clean it.
- Avoid placing the kettle near edges or in locations where it could be easily knocked over.
- Always place the kettle on a heat-resistant surface to prevent damage to countertops or tables.
- **DO NOT** use the kettle if the power cord or plug is damaged; contact the manufacturer for a replacement.
- **DO NOT** attempt to heat any liquids other than water in the kettle.
- Before storing the kettle, ensure it is completely dry to prevent mold or mildew growth.
- **DO NOT** use abrasive cleaners or scouring pads on the kettle's exterior surface.
- Keep the kettle away from sources of direct sunlight or heat when not in use.
- In the event of any unusual noises, smells, or smoke coming from the kettle, immediately unplug and discontinue use.

POWER SUPPLY GUIDELINES

- Before using the appliance, ensure the power voltage matches the information on the appliance rating label.
- Only connect the appliance to a grounded outlet for safety.
- Fully unwind the power cord to avoid overheating.
- Do not let the power cord hang over the edge of tables or countertops.

IMPORTANT POWER SUPPLY SAFEGUARDS

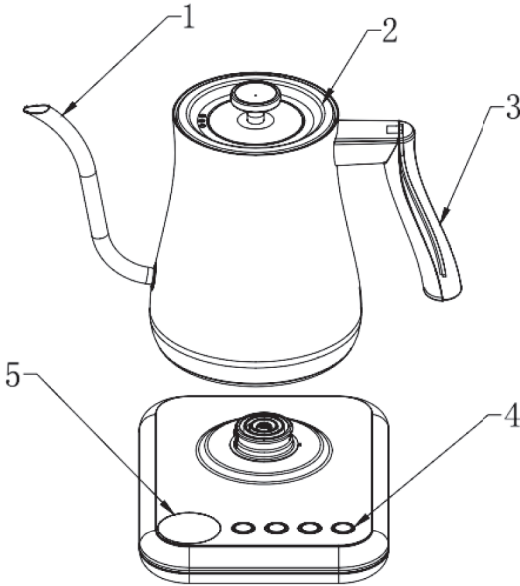
- Use a short power cord and organize it to minimize the risk of entanglement or tripping. Avoid using an extension cord. Consult a qualified electrician if needed.
- Avoid covering or placing heavy objects on the power cord.
- Ensure the power cord is not crushed or bent, especially at the appliance and plug connections.
- Always unplug the appliance when not in use, before attaching accessories, and before cleaning or storing it.
- When disconnecting, grasp the plug, not the wire.
- Avoid using the appliance with wet hands or while standing in water.
- Keep the appliance and power cord away from open flames and hot surfaces.
- **NOTE:** This appliance has a polarized plug. Ensure it fits into the outlet correctly. If unsure, consult a qualified electrician. Do not modify the plug.

KEEP THESE INSTRUCTIONS FOR FUTURE REFERENCE

FOR HOUSEHOLD USE ONLY

HOW TO USE

DESCRIPTION OF PARTS



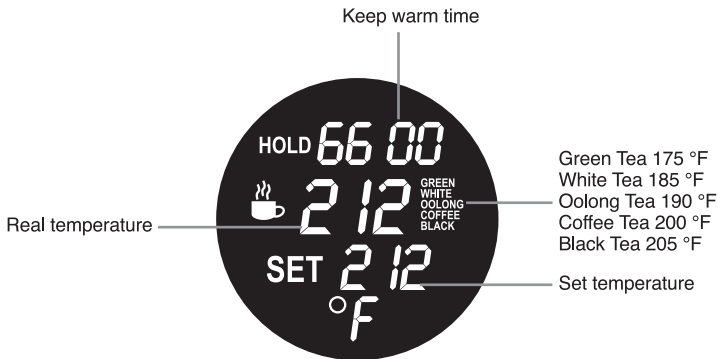
- 1. Gooseneck Spout
- 2. Lid
- 3. Handle
- 4. Button
- 5. LED Screen

BEFORE USING YOUR KETTLE

When using the kettle for the first time, we recommend cleaning it beforehand by boiling the maximum capacity of water and then discarding it. Repeat this process twice. Afterwards, wipe the surface with a soft damp cloth.

NOTE: The maximum capacity of the kettle is 0.8L.

OPERATIONS



OPERATIONS

POWERING ON:

- Plug in the power. The digital screen and button indicators will light up for 1 second before entering standby mode.
- If a kettle is present, the real-time water temperature and °F mark will be displayed. Otherwise, "---" will be shown.
- After lifting the kettle and placing it back, the digital screen and button indicators will light up again for 1 second.

MODE SELECTION:

- Press the "MODE" button to select a preset function. Each press will emit a buzzer sound and cycle through preset temperatures:
 - Green Tea/175°F
 - White Tea/185°F
 - Oolong Tea/190°F
 - Coffee/200°F
 - Black Tea/205°F

NOTE: Press and hold the 'MODE" button for 3 seconds to turn off all notification sounds.

TEMPERATURE ADJUSTMENT:

- Use the "+/-" button to adjust the preset temperature.
 - Short press to cycle through preset temperatures, with each press increasing by 5°F.
 - Long press to increase by 10°F.
 - Adjust the temperature range from 100°F to 212°F. Press the "ON/OFF" button to confirm the set temperature and begin heating.

ON/OFF FUNCTION:

- Press the "ON/OFF" button to start heating. Once the product reaches the set temperature, it stops heating, emits three buzzer sounds, and enters standby mode. If no function is selected, standby mode activates after 3 seconds.

KEEP WARM FUNCTION:

- Press the "Keep Warm" button to activate the function. The indicator light will turn on.
- Press the "+/-" button (long press) to adjust the keeping warm time in 30-minute increments.
- After setting the desired time, press the "ON/OFF" button to begin the heat preservation mode. The maximum insulation temperature is 203°F.
- If the kettle is not placed back within 2 minutes while working or keeping warm, the operation will be automatically canceled.

ERROR INDICATORS:

- Error codes may display:
 - E1: Temperature probe short-circuited.
 - E4: Boil-dry or over-temperature, thermostat tripped (no power).

USING YOUR ELECTRIC KETTLE

- Place the kettle on a flat surface.
- To fill the kettle, remove it from the power base and open the lid by pressing down on the lid release button. Fill the kettle with the desired amount of water, ensuring it is between the Min. (0.5L) and Max. (0.8L) level marks. Do not exceed the Max. level mark to prevent water spillage from the spout when boiling. Close the lid firmly before connecting the kettle to the mains power supply.
- Position the kettle on the power base.
- Connect the supply cord plug to the main power outlet. Press down the power switch on the kettle; the indicator will light up, indicating the kettle is operational.
- When the water reaches the desired temperature, the kettle will switch off automatically. To stop the boiling process at any time, lift the switch up.
- Once boiling is complete, safely remove the kettle from its base and pour out the boiled water.
- To re-boil, press the switch again. If the water is very hot, it may be necessary to wait approximately 30 seconds until the switch resets.
- Always ensure the lid is tightly fitted and never lift the kettle while it is boiling to avoid the risk of scalding.
- **CAUTION:** Be careful when pouring water from the kettle, as boiling water may cause scalding. Do not open the lid while the water in the kettle is hot.
- The kettle may be stored on the power base when not in use. Always disconnect it from the power outlet when not in use or when storing.

BOIL-DRY PROTECTION

The kettle is equipped with a safety device that automatically switches it off if operated with insufficient water or without water. If this occurs, disconnect the kettle from the mains power supply and allow it to cool thoroughly before refilling with cold water.

CLEANING AND MAINTENANCE

- Always disconnect the appliance from the power outlet and let it cool down completely before cleaning.
- Avoid immersing the kettle, power cord, or power base in water, and ensure moisture does not come into contact with these components.
- Wipe the exterior of the kettle with a soft damp cloth. Never use abrasive cleaners.
- **CAUTION:** Avoid using chemical, steel, wooden, or abrasive cleaners on the exterior of the kettle to prevent damage to the finish.
- When not in use or during storage, wind the power cord under the bottom of the kettle's power base.

REMOVAL OF MINERAL DEPOSITS

Your kettle should be periodically descaled to remove mineral deposits.


You can use a commercially available descaling solution following the instructions on the bottle/packaging, or follow these instructions using white vinegar:

- Fill the kettle with 3 cups of white vinegar, then add water until it covers the bottom of the kettle completely or reaches the Min. level mark on the water level indicator window. Leave the solution in the kettle overnight.
- Discard the vinegar mixture, then fill the kettle with clean water to the maximum capacity. Boil and discard the water. Repeat until the odor of vinegar is gone. Use a damp cloth to remove any remaining stains inside the spout.

QUICK START

- Plug the kettle into an electrical outlet.
- Press the "On" button.
- Select your desired mode and temperature
- Press the "On" button again and wait for the water to boil.
- The kettle will beep when it reaches the selected temperature.
- To keep the water warm, set the duration and press "On."

DISPOSAL

Correct Disposal of this product	
	This marking indicates that this product should not be disposed with other household wastes throughout the EU. To prevent possible harm to the environment or human health from uncontrolled waste disposal, recycle it responsibly to promote the sustainable reuse of material resources. To return our used device, please use the return and collection systems or contact the retailer where the product was purchased. They can take this product for environmental safe recycling.

PRODUCT SPECIFICATIONS

Name	Digital Kettle
Model No.	7711MY, 7712MY, 7713MY
Rated Voltage	120 VAC, 60 Hz
Rated power	1200W

For customer service contact us here:



<https://www.cookwithwillow.com>



40 Wall St, Suite 1605, 16th Floor,
New York, NY 10005



support@cookwithwillow.com



1 (888) 992-5943

