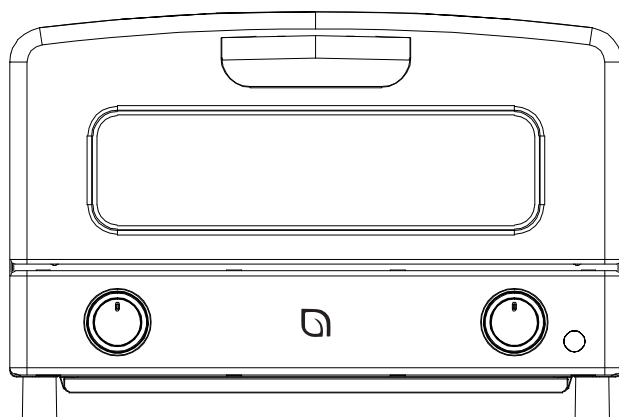


TOASTER OVEN USER'S MANUAL



Before first use, always double-check to ensure that all packaging materials have been removed from your appliance.



DON'T BE ALARMED. New parts might have a smell when first heated, but it will fade after a few uses. This is completely normal.



Read the instruction manual before using the machine.
Save these instructions.

CONTENT

IMPORTANT SAFEGUARDS	1
POWER SUPPLY	3
HOW TO USE	4
DISPLAY DIAGRAM	4
BEFORE FIRST USE	5
OPERATING INSTRUCTIONS	6
CLEANING AND MAINTENANCE	6
DISPOSAL	7
PRODUCT SPECIFICATIONS	8

IMPORTANT SAFEGUARDS

Read all instructions carefully before use. When using electrical appliances, basic safety precautions should always be followed, including the following:

WARNING

- Before connecting the toaster to the main supply, check that the voltage indicated on the appliance matches the mains voltage in your home. If this is not the case, do not use the toaster.
- **DO NOT** let the power cord hang over the edge of the table or counter.
- **DO NOT** place the toaster on or near a hot gas or electric burner, or near hot surfaces.
- **DO NOT** operate the appliance if the cord or plug is damaged or after it has malfunctioned or been damaged in any manner.
- **USE CAUTION** when removing heatproof dishes containing hot liquids from the appliance.
- **USE CAUTION** when using containers made of materials other than heatproof metal or glass.
- **CAUTION: DO NOT** touch hot surfaces. Always hold the handle or dials.
- Ensure that the toaster is used on a stable flat surface, this will prevent it from overturning and avoid damage or injury.
- **THIS IS NOT A TOY. Suitable for use for children 8 years and above. Children should be supervised to ensure that they do not play with the appliance. Keep the appliance and its cord out of reach of children.** This appliance is not intended for use by individuals (including children) with reduced physical, sensory, or mental capabilities, or those lacking experience and knowledge, unless they have received supervision or instruction on the appliance's usage from a person responsible for their safety.
- Close supervision is necessary when the appliance is used by or near children.
- Cleaning and user maintenance tasks should only be undertaken by adults.
- To prevent fire, electric shock, or personal injury, avoid immersing the supply cord, plug, or toaster in water or other liquids.
- The toaster is for **household use only**, not designed for commercial use. Do not use outdoors.
- The use of accessories, which are not recommended by the appliance manufacturer, may result in fire, electric shock, or personal injury.
- **IMPORTANT:** Unplug the toaster from mains power outlet when not in use and before cleaning.
- Allow the toaster to cool thoroughly before putting on or taking off parts, and before cleaning the appliance.
- To disconnect the toaster, turn the appliance **off** first, then remove the plug from the mains power outlet.
- If the supply cord is damaged, it must be replaced by a qualified electrician in order to avoid a hazard or the product must be disposed of.
- **DO NOT** use the appliance for other than intended use.

WARNING (continued)

- **DO NOT** put oversized foods or metal utensils in the appliance. Doing so may cause fire or electric shock.
- **DO NOT** place any of the following materials in the appliance: flammable items (paper, cardboard, plastic, wood, etc.)
- **DO NOT** cover the crumb catcher or any part of the appliance with metal foil. Doing so may cause overheating.
- **DO NOT** store any item on top of the appliance when in operation.
- This appliance must not be immersed in water or other liquids.
- Avoid liquid spillage on the electrical connectors.
- **CAUTION: The toaster is subject to residual heat after use. Misuse may cause injury or property damage.**
- **CAUTION:** To prevent damage to the appliance, do not use alkaline cleaning agents when cleaning. Use a soft cloth and mild detergent.
- Regularly inspect the power cord for any signs of damage or wear, and replace if necessary.
- **DO NOT** use if the power cord or plug is damaged; contact the manufacturer for a replacement.
- **DO NOT** attempt to repair or disassemble the toaster yourself. Contact a qualified technician for servicing.
- Avoid operating the toaster near flammable materials or in areas where flammable vapors may be present.
- **DO NOT** use the toaster if it has been dropped, damaged, or if there are any visible signs of malfunction.
- Before plugging in the toaster, ensure the power switch is in the "**OFF**" position.
- **DO NOT** leave the toaster unattended while it is in use.
- Allow toaster to cool completely before storing it or attempting to clean it.
- Avoid placing appliance near edges or in locations where it could be easily knocked over.
- Always place the toaster on a heat-resistant surface to prevent damage to countertops or tables.
- Before storing the toaster, ensure it is completely dry to prevent mold or mildew growth.
- **DO NOT** use abrasive cleaners or scouring pads on this product. Pieces of the pad can break off and touch electrical parts, creating a risk of electric shock.
- Keep the toaster away from sources of direct sunlight or heat when not in use.

POWER SUPPLY GUIDELINES

- Before using the appliance, ensure the power voltage matches the information on the appliance rating label.
- Only connect the appliance to a grounded outlet for safety.
- Fully unwind the power cord to avoid overheating.
- Do not let the power cord hang over the edge of tables or countertops.

IMPORTANT POWER SUPPLY SAFEGUARDS

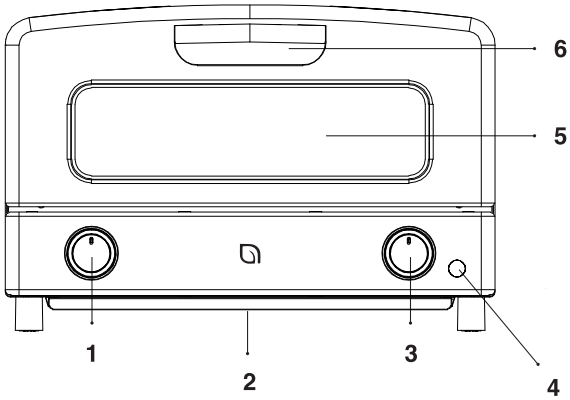
- Use a short power cord and organize it to minimize the risk of entanglement or tripping. Avoid using an extension cord. Consult a qualified electrician if needed.
- Avoid covering or placing heavy objects on the power cord.
- Ensure the power cord is not crushed or bent, especially at the appliance and plug connections.
- Always unplug the appliance when not in use, before attaching accessories, when it is malfunctioning and before cleaning or storing it.
- When disconnecting, grasp the plug, not the wire.
- Avoid using the appliance with wet hands or while standing in water.
- Keep the appliance and power cord away from open flames and hot surfaces.
- **NOTE:** This appliance has a polarized plug (one blade is wider than the other). Ensure it fits into the outlet correctly. To reduce the risk of electric shock, it is intended to fit into a polarized outlet only one way. If the plug does not fit fully into the outlet, reverse the plug. If it still does not fit, consult a qualified electrician. Do not modify the plug in any way.

KEEP THESE INSTRUCTIONS FOR FUTURE REFERENCE

FOR HOUSEHOLD USE ONLY

HOW TO USE

DESCRIPTION OF PARTS



1. Temperature Selection Dial

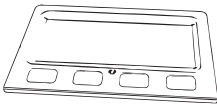
2. Crumb Catcher

3. Power Button Timer Dial

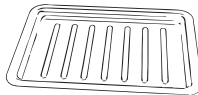
4. Power Light

5. Glass Door

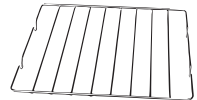
6. Handle



Crumb Catcher



Baking Pan

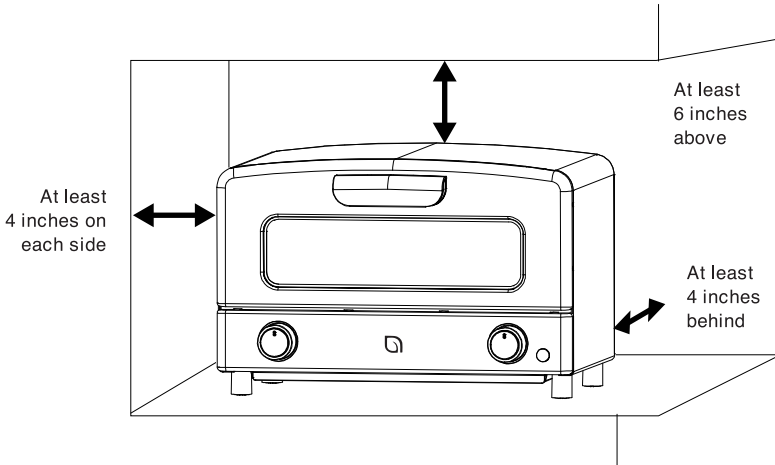


Toasting Rack

BEFORE FIRST USE

Check that all accessories are complete, and the unit is not damaged. Remove all packaging from the toaster, including any temporary stickers. Place the toaster on a stable, level, heat-resistant surface. Keep away from areas that can be damaged by steam (such as walls or cupboards).

Note: Leave at least 4 inches of space behind and at least 6 inches above the toaster. Leave at least 4 inches of open space on either side of the toaster as well.



Before first use, read all instructions thoroughly. Remove the bags, paper, labels and tape from your new appliance and wash all accessories in hot, soapy water using a non-abrassive sponge or place in a dishwasher. Next, dry all accessories thoroughly with a towel and reassemble your toaster oven. Finally, simply plug in the toaster oven for use.

PLEASE NOTE: Initial start-up operation may result in minimal smell and smoke (about 15 minutes). This is normal and harmless. It is due to burning of the protective substance applied to the heating elements in the factory.

OPERATING INSTRUCTIONS

1. Insert the plug into the outlet.
2. Open the door and place the food in the center of the toasting rack.
This appliance does not require preheating.
3. **Never** use a glass or ceramic pan or lid.
4. Close the door safely.
5. Thoroughly dry all accessories and re-assemble in oven, plug oven into outlet and you are ready to use your new electric oven.

CLEANING AND MAINTENANCE

Any spattering that occurs while cooking and comes into contact with the continuous coating is oxidized while the oven is in operation. If desired, wipe the walls with a damp sponge, cloth or nylon scouring pad and mild detergent.

DO NOT USE STEEL WOOL SCOURING PADS, ABRASIVE CLEANERS OR SCRAPE THE WALLS WITH A METAL UTENSIL, AS ALL OF THESE METHODS MAY DAMAGE THE CONTINUOUS CLEAN COATING.

DISPOSAL

Correct Disposal of this product



This marking indicates that this product should not be disposed with other household wastes throughout the EU. To prevent possible harm to the environment or human health from uncontrolled waste disposal, recycle it responsibly to promote the sustainable reuse of material resources. To return our used device, please use the return and collection systems or contact the retailer where the product was purchased. They can take this product for environmental safe recycling.

PRODUCT SPECIFICATIONS

Name	Toaster Oven
Model No.	7729MY, 7730MY, 7731MY
Rated Voltage	120 VAC, 60 Hz
Rated power	1300W

For customer service contact us here:



www.cookwithwillow.com



55 Broadway Suite 3001A, 30th Floor,
New York, NY 10006



support@cookwithwillow.com

