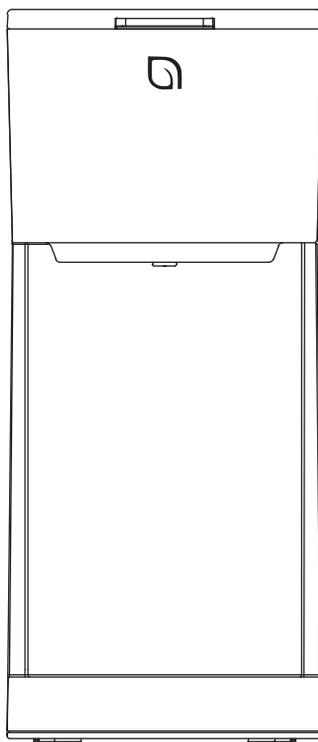


WILLOW | ECO
SERIES

COFFEE MAKER USER'S MANUAL

7703MY
7704MY
7705MY
7706MY
7707MY



Read the instruction manual before using.
Save these instructions.

CONTENT

SAFETY INFORMATION.....	2
POWER SUPPLY.....	4
HOW TO USE.....	5
DESCRIPTION OF PARTS.....	5
BEFORE FIRST USE.....	6
OPERATING INSTRUCTIONS.....	6
CLEANING AND CARE.....	8
DISPOSAL.....	9
INFORMATION AND SERVICE.....	9

IMPORTANT SAFEGUARDS

When using electrical appliances especially when children are present, basic safety precautions should always be followed to reduce the risk of fire, electric shock, and/or injury to persons, including the following:

1. **READ ALL INSTRUCTIONS BEFORE USE.**
2. Avoid touching hot surfaces; use handles or knobs provided.
3. To protect against fire, electrical shock, or injury to persons, DO NOT immerse cord, plug, or appliance in water or other liquid.
4. Close supervision is necessary when any appliance is used by or near children.
5. Unplug from outlet when not in use and before cleaning. Allow to cool before putting on or taking off parts and before cleaning the appliance.
6. Do not operate any appliance with a damaged cord or plug, after the appliance malfunctions or has been damaged in any manner. Contact us at support@cookwithwillow.com for more information.
7. Avoid the use of accessory attachments not recommended by the appliance manufacturer, as it may result in fire, electric shock, or injury..
8. Do not use outdoors.
9. Do not let cord hang over the edge of table, counter, or hot surfaces.
10. Do not place on or near a hot gas or electric burner, or in a heated oven.
11. Extreme caution must be used when moving an appliance containing hot food, hot oil, water or other hot liquids.
12. Do not use the appliance for purposes other than its intended use.
13. To disconnect, turn OFF, then remove plug from wall outlet.
14. Scalding water may occur during brewing process if product is not assembled or operated properly. Do not attempt to open the top cover or water tank cover during the brewing process or in the few seconds following the completion of brewing.
15. Fill the water reservoir of this appliance with water only. Do not fill with other liquids or foods, except when following the specific instructions in this guide for descaling or cleaning the machine.
16. Never leave the brewer unattended during operation.
17. Do not use the appliance with an empty or under-filled water tank, and do not fill the water tank beyond the MAX marking.
18. Keep the area above the appliance clear during use, as hot steam will escape the appliance.
19. Always use fresh, cold water for brewing.
20. **CAUTION!** The top cover and capsule holder contain sharp needles. Use caution when handling and during cleaning. Do not touch the needles.

SAVE THESE INSTRUCTIONS

ADDITIONAL SAFEGUARDS

This appliance is for HOUSEHOLD USE ONLY. It may be plugged into an AC electrical outlet (ordinary household current). Do not use any other electrical outlet.

POLARIZED PLUG

This appliance has a polarized plug (one blade is wider than the other). To reduce the risk of electric shock, this plug is intended to fit into a polarized outlet only one way. If the plug does not fit fully into the outlet, reverse the plug and try again. If it still does not fit, contact a qualified electrician. Do not attempt to modify the plug in any way.

EXTENSION CORD

A short power-supply cord is provided to reduce the risks of entanglement or tripping associated with a longer cord. Longer detachable power-supply cords or extension cords are available and may be used if care is exercised in their use. If a longer detachable power-supply cord or extension cord is used:

1. The marked electrical rating of the detachable power-supply cord or extension cord should be at least as great as the electrical rating of the appliance, and;
2. The longer cord should be arranged so that it will not drape over the countertop or tabletop where it can be pulled on by children or tripped over unintentionally.

LINE CORD SAFETY TIPS

1. Never pull or yank on the cord or the appliance.
2. To insert plug, grasp it firmly and guide it into outlet.
3. To disconnect appliance, grasp plug and remove it from outlet. Do not pull on the line cord.
4. Before each use, inspect the line cord for cuts and/or abrasion marks. If any are found, this indicates that the appliance should be serviced and the line cord replaced.
5. Never wrap the cord tightly around the appliance, as this could place undo stress on the cord where it enters the appliance and cause it to fray and break.

DO NOT OPERATE APPLIANCE IF THE LINE CORD SHOWS ANY DAMAGE, IF APPLIANCE WORKS INTERMITTENTLY OR STOPS WORKING ENTIRELY.

SAVE THESE INSTRUCTIONS

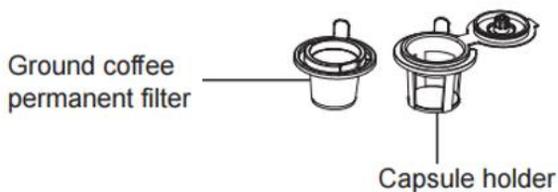
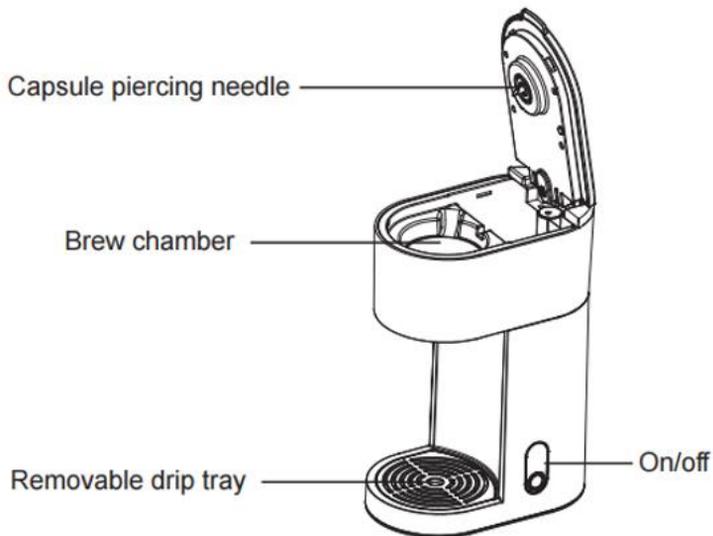
POWER SUPPLY

1. Before first use, make sure the power voltage matches the information on the appliance rating label.
2. For safety, only connect the appliance to an outlet with a grounding feature.
3. To avoid overheating, fully unwind the power cord.
4. Do not let the power cord hang over the edge of tables or countertops.
5. Use a short power cord and organize it to minimize the risk of entanglement or tripping. Avoid replacing it with a longer cord or using an extension cord. If needed, consult a qualified electrician to install a grounded wall socket near the appliance. Additionally, arrange the power cord to prevent accidental catching, tripping, or stepping on it.
6. Do not cover the power cord or place it under a heavy object.
7. Make sure the power cord is not crushed or bent especially where the power cord attaches to the appliance and the plug.
8. Always unplug the power cord when the appliance is not being used, when it's malfunctioning, before attaching accessories, and before cleaning or storing it.
9. Always disconnect by grasping the plug, not the wire.
10. Avoid plugging in the power cord or using the appliance with wet hands or while standing in water.
11. Keep the appliance and power cord away from open flames and hot surfaces
12. This appliance has a polarized plug (one blade is wider than the other). To reduce the risk of an electric shock, this plug is intended to fit into a polarized outlet in one orientation only. If the plug does not fit fully into the outlet, reverse the plug. If it still does not fit, contact a qualified electrician. Do not attempt to modify the plug in any way.

KEEP THESE INSTRUCTIONS FOR FUTURE REFERENCE HOUSEHOLD USE ONLY

HOW TO USE

DESCRIPTION OF PARTS



IMPORTANT

During the first few minutes of initial use, you may notice smoke and/or a slight odor. This is normal and should quickly disappear. It will not recur after appliance has been used a few more times.

WARNING: To reduce the risk of fire or electric shock, do not remove the bottom cover. No user serviceable parts inside. Repair should be done by authorized service personnel only.

CAUTION: There are two sharp needles that puncture the capsule. One is located in the top cover and the other is in the bottom of the Capsule Holder itself. To avoid risk of injury, do not put your fingers in or near the Capsule Assembly Housing.

CAUTION: There is extremely hot water in the Capsule Holder during the brewing process. To avoid risk of injury, do not open the top cover or water tank cover during the brewing process.

UNPACKING:

1. Carefully unpack the brewer and all parts. Remove any tape, labels or packaging materials.
2. Wash Tank Filter, Drip Tray, Capsule Holder and Brew Basket with warm, soapy water. Rinse well and dry thoroughly.
3. Wipe exterior surfaces of the product with a soft, moist cloth to remove dust particles collected during packing and handling. **NEVER IMMERSER THE BREWER, CORD OR PLUG IN WATER OR ANY OTHER LIQUID.**
4. Place Brewer on a solid, level, heat-resistant surface.

PREPARING FOR USE

CLEAN THE SYSTEM:

Before the first use, it is recommended to run a 12 oz cycle of water through the Coffee Brewer.

1. Place the Water Tank Filter in the Water Tank.
2. Fill the Water Tank to the MAX level and close the lid.
3. Place the Brew Basket in place. **DO NOT USE COFFEE GROUNDS.**
4. Close the top cover on the Coffee Brewer.
5. Place a large cup on the Drip Tray and beneath the Brew Spout.
6. Plug the Coffee Brewer into an electrical outlet. Ideally, the Coffee Brewer should be operated on its own circuit, separate from other appliance.
7. Push the Ground Coffee Brew Button.
8. The Coffee Brewer will heat and then dispense the water.
9. After a preset time, the Coffee Brewer will shut off and is now ready for use.

BREWING COFFEE USING A CAPSULE

1. Place the Coffee Brewer on a dry, level and heat-resistant surface.
2. Fill the Water Tank to the desired level from 6 oz to 12 oz according to the markings located on the Water Tank Filter. The recommended amount of water to brew a capsule is 8-10 oz. **DO NOT** place any liquid other than water in the Water tank.

3. Open the top cover.
4. Insert a capsule into the Capsule Holder.
NOTE: Never remove or puncture the foil top of the capsule before inserting into the Coffee Brewer.
5. Close the top cover of the Coffee Brewer making sure it is completely closed. The capsule will be punctured on the top and bottom allowing for the ideal flow of water during the brewing cycle.
NOTE: If the Top Cover is not properly closed, the Capsule Puncturing Mechanism will not lower and latch.
6. Place a mug on the Drip Tray and under the Brew Spout.
TIP: Be sure to keep the mug in place at the end of the brew cycle to catch any excess drips. The end of the brew cycle is indicated when the function button is no longer illuminated.
7. Push the ON/OFF Button. The brew cycle will now begin. The ON/OFF will flash during brewing and will illuminate when coffee is ready.
TIP: To stop the brewing cycle at any time, press the illuminated button.
8. When the brew cycle is complete, the illuminated button will stop and the Coffee Brewer will shut off.
9. Do not leave used coffee capsules in the Brewer. Wait for the Brewer to cool before removing used capsules as they remain hot following the brew cycle. Open the top cover, carefully remove the used capsule and discard. Lower the top cover.

BREWING COFFEE USING COFFEE GROUNDS

1. Place the Coffee Brewer on a dry, level and heat-resistant surface.
2. Fill the Water Tank to the desired level from 6 oz to 12 oz according to the markings located on the Water Tank Filter. **DO NOT** place any liquid other than water in the Water Tank.
3. Open the top cover.
4. Place coffee grounds into the Brew Basket. Never fill above the MAX marking on the Brew Basket.
5. Close the top cover of the Coffee Brewer making sure it is completely closed.
6. Place a mug on the Drip Tray and under the Brew Spout.
TIP: Be sure to keep the mug in place at the end of the brew cycle to catch any excess drips. The end of the brew cycle is indicated when the function button is no longer illuminated.
7. Push the ON/OFF Button. The brew cycle will now begin. The ON/OFF Button will flash during brewing and will illuminate when coffee is ready.
TIP: To stop the brewing cycle at any time, press the illuminated button.
8. When the brew cycle is complete, the illuminated button will stop and the Coffee Brewer will shut off.
9. Do not leave used coffee grounds in the Brewer. Wait for the Brewer to cool before removing used coffee grounds as they remain hot following the brew cycle. Open the top cover, carefully remove the coffee grounds and discard. Lower the top cover.

CLEANING AND CARE

This appliance contains no user serviceable parts. Do not try to repair it yourself. Refer it to qualified service personnel if servicing is needed. The Coffee Maker should be cleaned on a regular basis to prolong the life of the machine and to guarantee optimal brewing results.

TO CLEAN:

- Turn off the Brewer and unplug from the wall outlet.
- On a regular basis, check the Drip Tray for excess water or coffee. Empty the Drip Tray and wipe it clean with a damp cloth. Use extra care when removing or emptying the Drip Tray, in order to prevent spilling any excess liquids from the Drip Tray.
- **DO NOT** leave used coffee capsules in the Capsule Holder. **DO NOT** leave used coffee grounds in the Brewer.
- Wipe down the outside surfaces of the Brewer with a damp cloth and dry thoroughly. **NEVER** use harsh chemicals or abrasive cleaning pads. **NEVER** immerse the Brewer in water or any other liquid and **NEVER** place the appliance under running water.
- Clean the Water Tank Filter, Drip Tray, Drip Tray Cover, Capsule Holder and Brew Basket with warm, soapy water. Do not use harsh chemicals or abrasive cleaners. Dry thoroughly prior to use. The Drip Tray, Drip Tray Cover, Capsule Holder and Brew Basket can be placed onto the top shelf of a dishwasher. Use low temperature cycles if cleaning the parts in the dishwasher.

DESCALING:

It is advised to descale the Brewer on a regular basis. Frequency of descaling the Brewer depends on amount of use and your local water conditions. As a general time frame, the Brewer should be descaled every three months. Specific descaling products for coffee makers are available in stores and online.

Follow the specific instructions for the descaling product on the package from the descaling product manufacturer.

- Make sure the Brewer is turned Off.
- Fill the Water Tank with undiluted white vinegar or if using a descaling product fill according to the instructions on the package of the descaling product.
- Place a large mug on the Drip Tray and beneath the Brew Spout.
- Make sure there is not a coffee capsule in the Capsule Holder and close the top cover.
- To start the clean cycle, press the ON/OFF Button for 5 seconds. The buttons will illuminate. The Coffee Brewer will pump water and will pause in between cycles. The Coffee Brewer will run 5 cycles of approximately 30 seconds each. After the 5 cycles are completed, the Coffee Brewer will automatically shut off.
- After allowing to sit, run another brew cycle without adding a coffee capsule. Empty the dispensed liquid that has accumulated in the mug. Use extreme caution as contents may be hot.
- Fill the Water Tank with 8 ounces of distilled or bottled water and run a full brew cycle.
- Run three additional brew cycles using distilled or bottled water, each time without a coffee capsule. This will clean the Brewer and get rid of any residual taste from the vinegar or descaler.
- The Brewer is now ready for regular use again.

DISPOSAL

Correct Disposal of this product



This symbol indicates that this appliance may not be treated as household waste. Instead, it should be taken to the appropriate collection point for recycling electrical and electronic equipment. Please use the return or collections services available in your community or contact the retailer where you purchased this product.

PRODUCT SPECIFICATIONS

Name	Coffee Maker
Model No.	7703MY, 7704MY, 7705MY, 7706MY, 7707MY
Rated Voltage	120 VAC, 60 Hz
Rated power	1000W

For customer service contact us here:



www.cookwithwillow.com



55 Broadway Suite 3001A, 30th Floor,
New York, NY 10006



support@cookwithwillow.com

