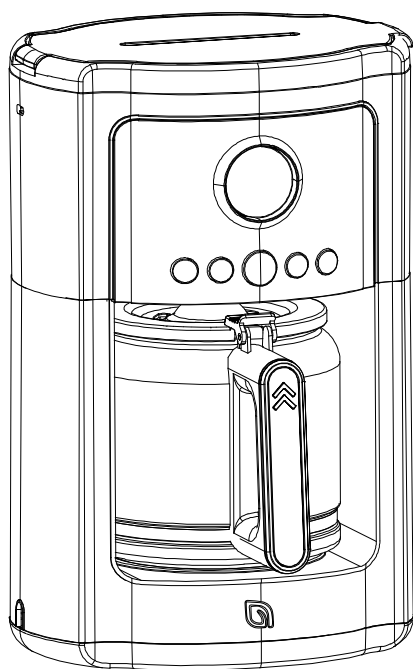


WILLOW™ | ECO  
SERIES

# 12 CUPS COFFEE MAKER USER'S MANUAL



**Before first use**, always double-check to ensure that all packaging materials have been removed from your appliance.



**DON'T BE ALARMED.** New parts might have a smell when first heated, but it will fade after a few uses. This is completely normal.



Read the instruction manual before using the machine. Save these instructions.

# CONTENT

IMPORTANT SAFEGUARDS	1
POWER SUPPLY	2
HOW TO USE	3
BEFORE FIRST USE	3
OPERATING INSTRUCTIONS	3
CLEANING AND MAINTENANCE	4
DESCALING	4
DISPOSAL	5
QUICK START	5
PRODUCT SPECIFICATIONS	6

# IMPORTANT SAFEGUARDS

**READ ALL INSTRUCTIONS CAREFULLY BEFORE USE. WHEN USING ELECTRICAL APPLIANCES, BASIC SAFETY PRECAUTIONS SHOULD ALWAYS BE FOLLOWED INCLUDING THE FOLLOWING:**

- Read all Instructions.
- Do not touch hot surfaces. Use handles or knobs.
- To protect against fire, electric shock and injury to persons do not immerse cord, plugs, or appliance in water or other liquid.
- Close supervision is necessary when any appliance is used by or near children.
- Unplug from outlet when not in use and before cleaning. Allow to cool before putting on or taking off parts, and before cleaning the appliance.
- Do not operate any appliance with a damaged cord or plug or after the appliance malfunctions, or has been damaged in any manner. Return appliance to the nearest authorized service facility for examination, repair or adjustment.
- The use of accessory attachments not recommended by the appliance manufacturer may result in fire, electric shock or injury to persons.
- Do not use outdoors.
- Do not let cord hang over edge of table or counter, or touch hot surfaces.
- Do not place on or near a hot gas or electric burner, or in a heated oven.
- Always attach plug to appliance first, then plug cord into the wall outlet. To disconnect, turn any control to "off", then remove plug from wall outlet.
- Do not use appliance for other than intended use.
- For household use.
- Scalding may occur if the lid is removed during the brewing cycles.
- The container is designed for use with this appliance. It must never be used on a range top. (Unless specific instructions for use on a range top are provided and include the precautions to be observed.)
- Do not set a hot container on a wet or cold surface.
- Do not use a cracked container or a container having a loose or weakened handle.
- Do not clean container with cleansers, steel wool pads, or other abrasive material.

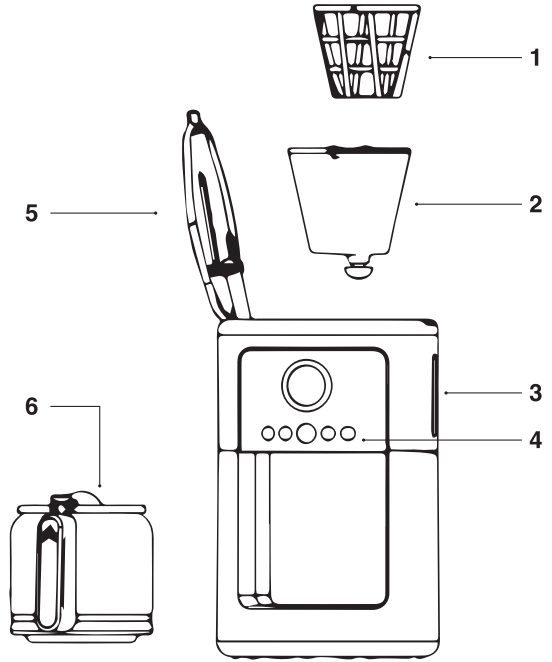
# POWER SUPPLY

- Before first use, make sure the power voltage matches the information on the appliance rating label.
- For safety, only connect the appliance to an outlet with a grounding feature.
- To avoid overheating, fully unwind the power cord.
- Do not let the power cord hang over the edge of tables or countertops.
- Use a short power cord and organize it to minimize the risk of entanglement or tripping. Avoid replacing it with a longer cord or using an extension cord. If needed, consult a qualified electrician to install a grounded wall socket near the appliance. Additionally, arrange the power cord to prevent accidental catching, tripping, or stepping on it.
- Do not cover the power cord or place it under a heavy object.
- Make sure the power cord is not crushed or bent especially where the power cord attaches to the appliance and the plug.
- Always unplug the power cord when the appliance is not being used, when it's malfunctioning, before attaching accessories, and before cleaning or storing it.
- Always disconnect by grasping the plug, not the wire.
- Avoid plugging in the power cord or using the appliance with wet hands or while standing in water.
- Keep the appliance and power cord away from open flames and hot surfaces
- This appliance has a polarized plug (one blade is wider than the other). To reduce the risk of an electric shock, this plug is intended to fit into a polarized outlet in one orientation only. If the plug does not fit fully into the outlet, reverse the plug. If it still does not fit, contact a qualified electrician. Do not attempt to modify the plug in any way.

# KEEP THESE INSTRUCTIONS FOR FUTURE REFERENCE HOUSEHOLD USE ONLY

# HOW TO USE

## DESCRIPTION OF PARTS



- 1. Filter
- 2. Funnel
- 3. Water Level Indicator
- 4. Control Panel And Clock
- 5. Top Cover
- 6. Glass Carafe

## BEFORE FIRST USE

Check that all accessories are complete and the unit is not damaged. Fill the water tank to the maximum level on the water gauge and brew water several times without coffee grounds, discarding the water each time. Clean and dry all detachable parts thoroughly according to the section “CARE AND MAINTENANCE”.


## OPERATING INSTRUCTIONS

### COFFEE GROUND MEASUREMENT



For optimal brewing, use 14 tablespoons of ground coffee for your 12-cup coffee maker. Add the measured coffee directly into the coffee filter area. Do not exceed this amount to ensure the best flavor and performance.

For the best coffee quality, grind your beans just before brewing. While pre-ground coffee offers convenience, freshly ground coffee significantly improves flavor. Select a medium-coarse grind, resembling the texture of coarse sea salt, for optimal results.




### BREW COFFEE

Press the (BREW/OFF) button once. The icon  lights up and the heating tube starts to heat up. When the coffee is brewed, there is a long beep (2S). After the whole machine (from start to finish) works for 2 hours (±30S), it automatically stops (powers off).

## DELAY BREWING

Press the (BREW/OFF) button twice to enter the reservation mode, the icon  lights up, the digital tube light flashes, press the H (hour) button and the M (minute) button to set the current time; press the (PROG) reservation button on the panel again,  and the digital tube light flashes, press the H (hour) button and the M (minute) button again to set the reservation time; after setting, press the (PROG) button on the panel again to confirm the time and return to the reservation mode (if there is no operation within 5 seconds, the set time will be automatically confirmed and the reservation mode will be entered). The reservation setting is completed, and the coffee brewing will begin.

## 1-4 CUPS SETTING

Press the 1-4 button (the icon  lights up) to activate the 4-cup function, then press the BREW/OFF button. The two icons   light up to confirm the start of the 4-cup coffee brewing mode. The machine stops working after heating for up to 4 minutes. During the process, you can press the BREW/OFF button to stop the coffee making function. A long beep (2S) indicates that the coffee brewing is finished.

## SETTING THE CLOCK

- When the coffee maker is first connected to the power supply, the screen will display 12:00 AM.
- Press the "BREW/OFF" button twice to enter standby mode.
- Press the "HOUR" button to set the correct hour on the 12hr clock (12AM-12PM)
- Press the "MIN" button to set the minutes (0-59).

# CARE AND MAINTENANCE

**CAUTION:** Be sure to unplug this appliance before cleaning and let the appliance cool down completely.

To protect against electrical shock, do not immerse the cord, plug or coffee maker in water or other liquid.

- Clean all detachable parts after each use in hot soapy water. Thoroughly rinse the filter with clean water.
- Wipe the external surfaces of product with a soft,damp cloth to remove stains.

**NOTE:** Do not attempt to clean the inside of the water tank, as this will leave a residue of lint and may clog your coffee maker. Simply rinse with cold water periodically.

- Water droplets may build up in the area above the filter holder and drip onto the base of the appliance during brewing. To control the dripping, wipe off the area with a clean, dry cloth after each use of the appliance.
- Replace all parts and store for next use.

# DESCALING


To keep your coffee maker operating efficiently, you should periodically clean away the mineral deposits left by the water. The frequency of this will be dictated by the water quality in your area and the frequency of use. We recommend removing mineral deposits as follows:

- Fill the tank with water and descaler to the maximum level as indicated on the water gauge (the ratio of water to descaler should be 4:1, but for detail please refer to the instructions provided with your descaler. The product to use will be described as a “household descaler” or “anti-limescale”, available in the supermarket.
- Insert the glass carafe onto the warming plate.
- Make sure that there are no coffee grounds and that the funnel is in place.
- Switch on the appliance and allow it to “brew” the de-scaling solution.
- After “brewing” a one-cup solution, switch off the appliance.
- Leave the solution to stand for 15 minutes and then repeat steps 4-6.
- Switch on the appliance and run off the solution until the water tank is completely empty.
- Rinse by operating the appliance with just water at least 3 times.

# QUICK START

- Plug the Willow 12 Cup Coffee Maker into an electrical outlet.
- Fill the water tank with fresh, cold water.
- Insert a paper or reusable coffee filter in the basket.
- Add one level measuring spoon of coffee per 3 cups of water.
- Press the brew button to begin the brewing process.
- To set the delayed brewing feature, press Brew Off, set the current time with Hour and Minute, then press PROG to enter delayed brew mode, set the delay brew time, and press PROG again to confirm. Your delayed brewing programming is now complete!
- The keep warm feature maintains the temperature after brewing.
- Empty the basket and wash it after each use; descale regularly.
- The machine will turn off automatically after a set time for safety.
- Press the 1-4 button only when brewing 1 to 4 cups to ensure strong flavor by slowing water flow.

# DISPOSAL

Correct Disposal of this product	
	This symbol indicates that this appliance may not be treated as household waste. Instead, it should be taken to the appropriate collection point for recycling electrical and electronic equipment. Please use the return or collections services available in your community or contact the retailer where you purchased this product.

# PRODUCT SPECIFICATIONS

Name	12 Cup Coffee Maker
Model No.	7732MY, 7733MY, 7734MY
Rated Voltage	120 VAC, 60 Hz
Rated power	1000W

For customer service contact us here:



[www.cookwithwillow.com](http://www.cookwithwillow.com)



55 Broadway Suite 3001A, 30th Floor,  
New York, NY 10006



[support@cookwithwillow.com](mailto:support@cookwithwillow.com)

